

BOEING
737-300/400/500
PARTS CATALOG (MAINTENANCE)

| FIG ITEM | PART NUMBER | 1 2 3 4 5 6 7 | NOMENCLATURE | EFFECT FROM TO | UNITS PER ASSY |
|----------|----------------|---------------|--|----------------|----------------|
| 84 | | | ARMREST ASSY-SIDE (TABLE) 737-300 AND -400 | | |
| - 10 | 833474-403A | | ARMREST ASSY-SIDE TABLE SUPPLIER CODE: V92824 FOR NHA SEE: 25-22-00-81 | | RF |
| - 20 | 833474-404A | | ARMREST ASSY-SIDE TABLE SUPPLIER CODE: V92824 FOR NHA SEE: 25-22-00-81 | | RF |
| 25 | 833473-401A | | .CAP- SUPPLIER CODE: V92824 POSITION DATA: REAR ATTACHING PARTS | | 1 |
| 30 | NAS602-7P | | .SCREW STANDARD SUBSTITUTION: BACS12CK08-7 | | 1 |
| 35 | AN960KD8L | | .WASHER STANDARD SUBSTITUTION: NAS1149DN816K NAS1149DN816J | | 1 |
| 40 | NAS1352-08-12P | | .SCREW STANDARD SUBSTITUTION: BACS12HM08-12 -----*----- | | 2 |
| 45 | 833448-1A | | .BUMPER- SUPPLIER CODE: V92824 ATTACHING PARTS | | 1 |
| 50 | NAS1352-12-12P | | .SCREW STANDARD SUBSTITUTION: BACS12HM12-12 | | 3 |
| 55 | NAS1352-08-08P | | .SCREW -----*----- | | 1 |
| 60 | 829465-401M | | .ARMCAP ASSY-HINGED SUPPLIER CODE: V92824 ATTACHING PARTS | | 1 |
| 65 | NAS514P632-5 | | .SCREW -----*----- | | 5 |
| - 70 | 833416-402 | | .HINGE ASSY- SUPPLIER CODE: V92824 USED ON: 833474-403A | | 1 |

ILLUSTRATION ITEMS NOT ON PARTS LIST ARE NOT APPLICABLE

- ITEM NOT ILLUSTRATED

25-22-00-84

25-22-00
FIG. 84
PAGE 1
SEP 25/15

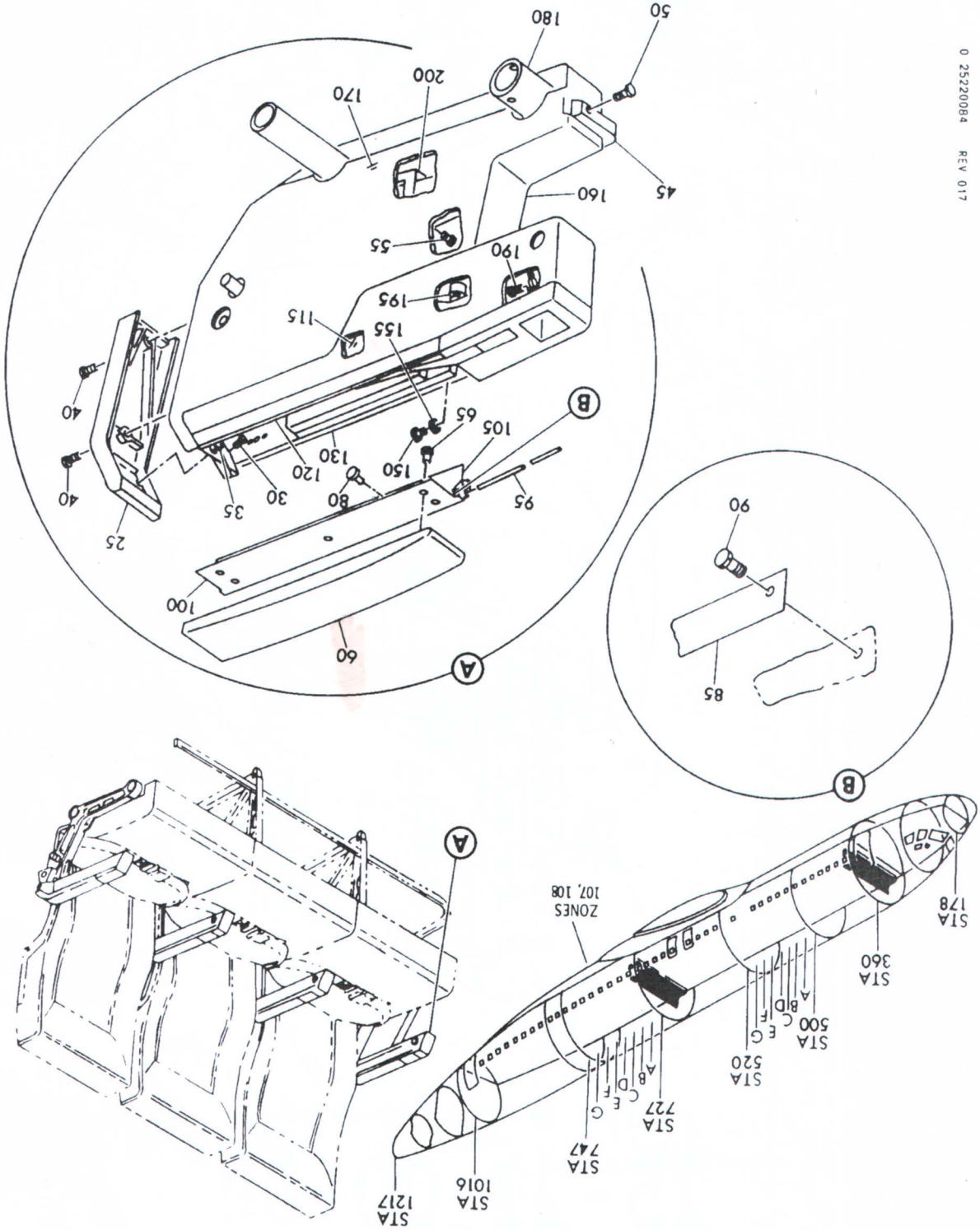
A FG

BOEING PROPRIETARY - Copyright © - Unpublished Work - See title page for details.

25-22-00-84

FIGURE 84

ARMREST ASSY-SIDE (TABLE) 737-300 AND -400



0 25220084 REV 017

PARTS CATALOG (MAINTENANCE)

737-300/400/500

